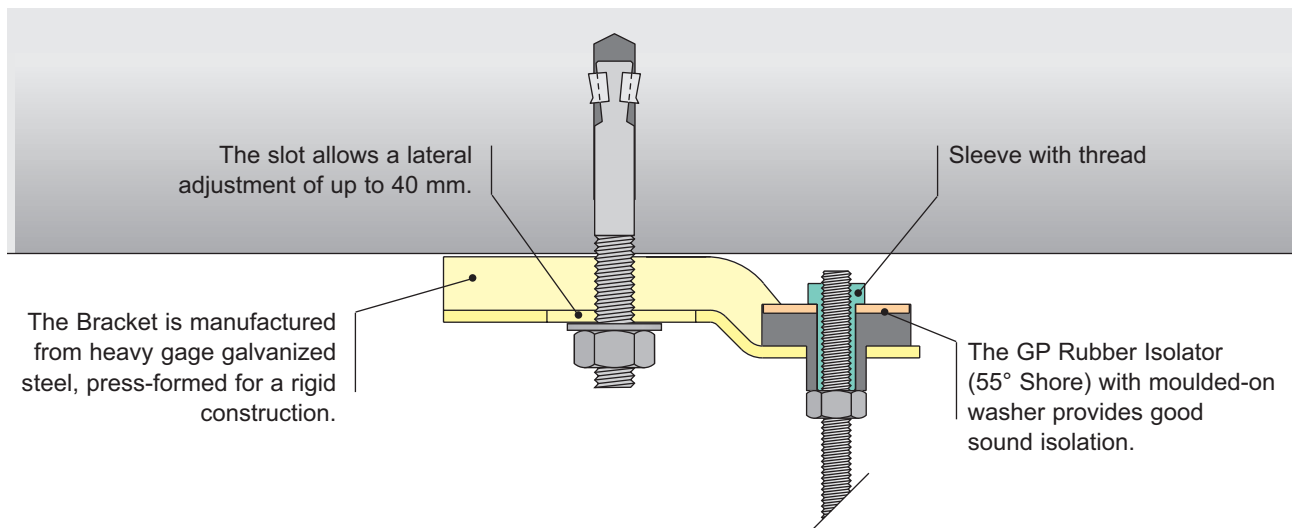




- For the sound isolated suspension of ductwork and equipment with M8, M10 and M12 threaded rods.
- The solid galvanized steel bracket is bolted to the structure through a slotted hole, allowing both lateral and radial movement.
- Therefore the fixing location does not have to be very accurate.
- The integrated Rubber Isolator provides good sound isolation.



## LOAD-BEARING CAPACITY AND DIMENSIONS

Ceiling Bracket type	Loading capacity*	Threaded rod	Plug max.	Overall length	Overall height
DB 8	300 N	M8	M10	140 mm	22 mm
DB 10	600 N	M10	M12	160 mm	32 mm



\* The indicated maximum load-bearing capacity is in accordance with the European Norm EN 12236 and can therefore be used integrally. The breaking load is three times higher.

## INSTALLATION

Fix the plug at a distance of 30-90 mm from duct. The greatest stability is achieved by ensuring that the distance between the plug and the threaded rod is reduced to a minimum.

Assemble the Bracket, the Rubber Isolator and the sleeve with thread. Feed the threaded rod through the sleeve and tighten the nut.

The nut on the plug is then tightened, ensuring that the drop rod is exactly vertical.

## DESIGNATION

Art.No.	Description	isolated with
F01V-1002	DB M8	Rubber Isolator GP M10
F01V-1003	DB M10	Rubber Isolator GP M12

More information concerning the GP Rubber Isolators can be found in the section „GP Rubber Isolator/GR Rubber Ring“.