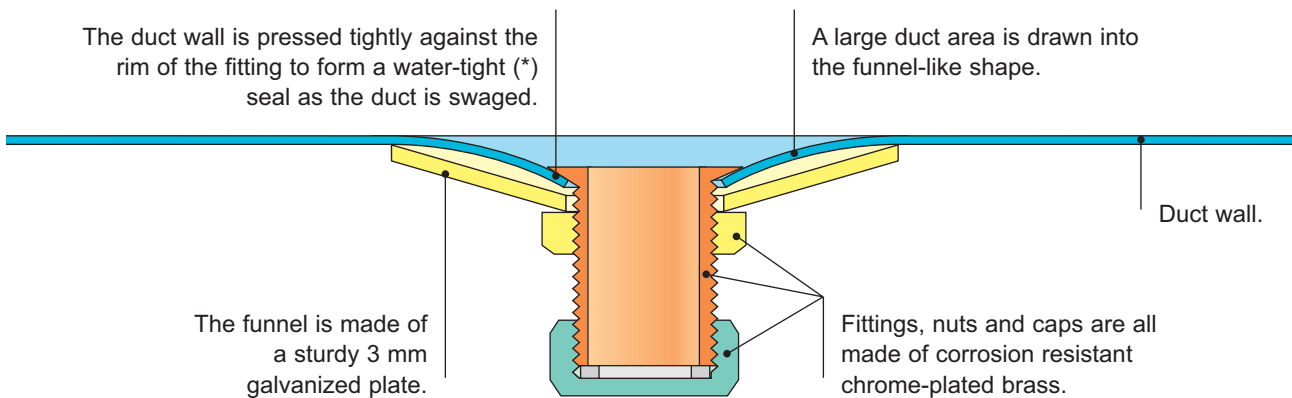




TYPE ST-G: DRAIN FITTINGS WITH WIDE FUNNEL

- **Special fittings to drain condensation from rectangular duct-work or other equipment.**
- **The duct wall is swaged to form a funnel-like drainage basin.**
- **A water-tight seal is created at the thread connection.**
- **Easy installation (just drill a hole and screw-in the Drain Fitting)**
- **All parts are protected against corrosion.**



(*) Normally no sealant is required. Only when the surface of the duct is damaged or rough, mastic should be applied around the rim.

INSTALLATION

1. Drill a hole in the duct wall. The hole diameter is indicated below under "Dimensions".
2. Insert the fitting into the hole, slide on the funnel plate and tighten the nut until the duct wall is drawn into the funnel.
3. The cap is only necessary if no connection to a drain pipe is foreseen.

DIMENSIONS

Drain Fitting Type	Fitting Thread	Fitting Inner Ø	Funnel External Ø	Drilling Hole Ø	Clamping Nut Across Flats
ST-G ½"	G ½"	15 mm	86 mm	21 mm +1	27 mm
ST-G ¾"	G ¾"	20 mm	86 mm	27 mm +1	32 mm
ST-G 1"	G 1"	26 mm	86 mm	34 mm +1	41 mm
ST-G 1½"	G 1½"	38 mm	110 mm	48 mm +1	55 mm

DESIGNATION

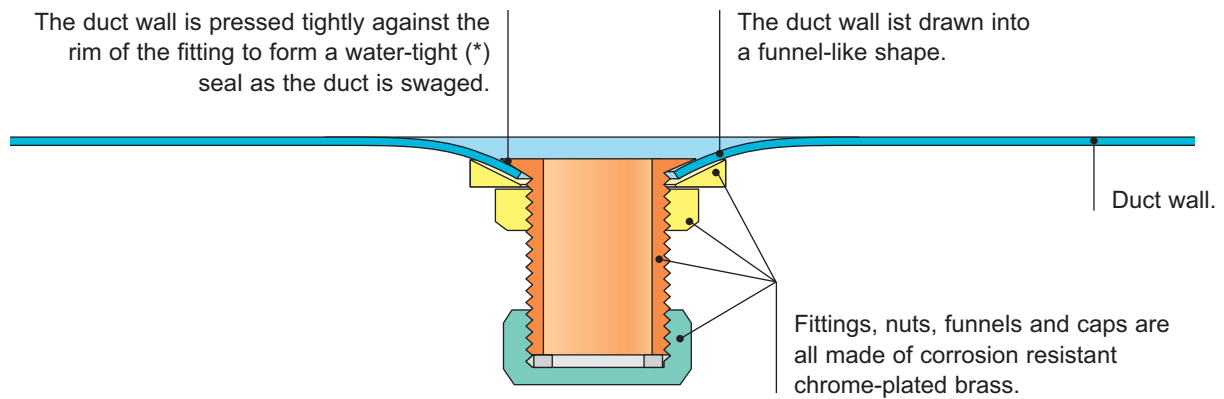
ST Drain Fittings		
Art.No.	Description	Material
1606	ST-G ½"	galv. steel / chrome-plated brass
1607	ST-G ¾"	galv. steel / chrome-plated brass
1608	ST-G 1"	galv. steel / chrome-plated brass
1630	ST-G 1½"	galv. steel / chrome-plated brass

Drain Fitting Caps		
Art.No.	Description	Material
1609	Drain Fitting Cap KST ½"	chrome-plated brass
1610	Drain Fitting Cap KST ¾"	chrome-plated brass
1611	Drain Fitting Cap KST 1"	chrome-plated brass
1631	Drain Fitting Cap KST 1½"	chrome-plated brass



TYPE ST-K: DRAIN FITTINGS WITH NARROW FUNNEL

- **Special fittings to drain condensation from rectangular ductwork and ventilator cowls.**
- **The duct wall is swaged to form a funnel-like drainage basin.**
- **A water-tight seal is created at the thread connection.**
- **Easy installation (just drill a hole and screw-in the Drain Fitting)**
- **All parts are protected against corrosion.**



(*) Normally no sealant is required. Only when the surface of the duct is damaged or rough, mastic should be applied around the rim.

INSTALLATION

1. Drill a hole in the duct wall. The hole diameter is indicated below under "Dimensions".
2. Insert the fitting into the hole, slide on the funnel plate and tighten the nut until the duct wall is drawn into the funnel.
3. The cap is only necessary if no connection to a drain pipe is foreseen.

DIMENSIONS

Drain Fitting Type	Fitting Thread	Fitting Inner Ø	Funnel External Ø	Drilling Hole Ø	Clamping Nut Across Flats
ST-K ½"	G ½"	15 mm	40 mm	21 mm +1	27 mm
ST-K ¾"	G ¾"	20 mm	45 mm	27 mm +1	32 mm
ST-K 1"	G 1"	26 mm	52 mm	34 mm +1	41 mm
ST-K 1½"	G 1½"	38 mm	70 mm	48 mm +1	55 mm

DESIGNATION

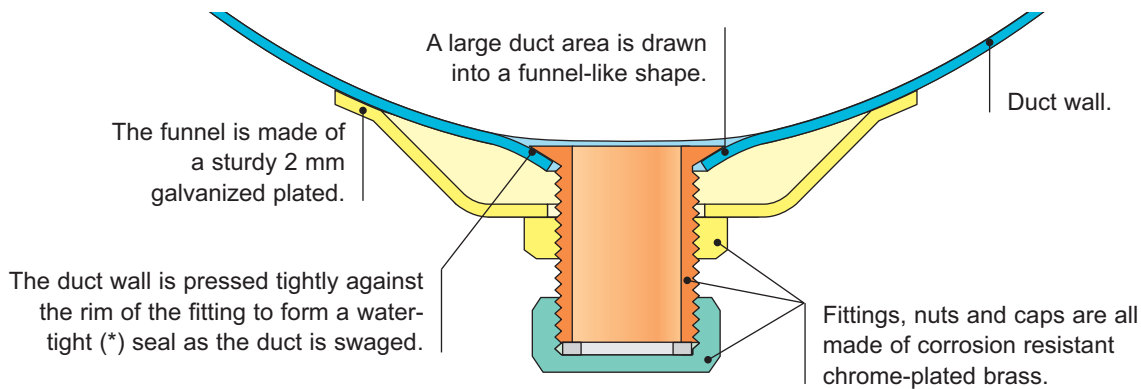
ST Drain Fittings		
Art.No.	Description	Material
1634	ST-K ½"	chrome-plated brass
1635	ST-K ¾"	chrome-plated brass
1636	ST-K 1"	chrome-plated brass
1637	ST-K 1½"	chrome-plated brass

Drain Fitting Caps		
Art.No.	Description	Material
1609	Drain Fitting Cap KST ½"	chrome-plated brass
1610	Drain Fitting Cap KST ¾"	chrome-plated brass
1611	Drain Fitting Cap KST 1"	chrome-plated brass
1631	Drain Fitting Cap KST 1½"	chrome-plated brass



TYPE ST-R: DRAIN FITTINGS WITH WIDE SADDLE

- **Special fittings to drain condensation from circular ductwork or other equipment.**
- **The duct wall is swaged to form a funnel-like drainage basin.**
- **A water-tight seal is created at the thread connection.**
- **Easy installation (just drill a hole and screw-in the Drain Fitting)**
- **All parts are protected against corrosion.**



(*) Normally no sealant is required. Only when the surface of the duct is damaged or rough, mastic should be applied around the rim.

INSTALLATION

1. Drill a hole in the duct wall. The hole diameter is indicated below under "Dimensions".
2. Insert the fitting into the hole, slide on the funnel plate and tighten the nut until the duct wall is drawn into the funnel.
3. The cap is only necessary if no connection to a drain pipe is foreseen.

DIMENSIONS

Drain Fitting Type	Fitting Thread	Fitting Inner Ø	Funnel External Ø	Drilling Hole Ø	Clamping Nut Across Flats
ST-R ½"	G ½"	15 mm	90 mm	21 mm +1	27 mm
ST-R ¾"	G ¾"	20 mm	90 mm	27 mm +1	32 mm
ST-R 1"	G 1"	26 mm	90 mm	34 mm +1	41 mm

DESIGNATION

Please refer to next page.

TYPE ST-R: DRAIN FITTINGS WITH WIDE SADDLE

DESIGNATION

ST-R Drain Fittings			
Art.No.	Description	for duct-Ø	Material
E01V-3001	ST-R ½" -20	200 mm	galv. steel / chrome-plated brass
E01V-3002	ST-R ¾" -20	200 mm	galv. steel / chrome-plated brass
E01V-3003	ST-R 1" -20	200 mm	galv. steel / chrome-plated brass
E01V-3004	ST-R ½" -22	224 mm	galv. steel / chrome-plated brass
E01V-3005	ST-R ¾" -22	224 mm	galv. steel / chrome-plated brass
E01V-3006	ST-R 1" -22	224 mm	galv. steel / chrome-plated brass
E01V-3007	ST-R ½" -25	250 mm	galv. steel / chrome-plated brass
E01V-3008	ST-R ¾" -25	250 mm	galv. steel / chrome-plated brass
E01V-3009	ST-R 1" -25	250 mm	galv. steel / chrome-plated brass
E01V-3010	ST-R ½" -28	280 mm	galv. steel / chrome-plated brass
E01V-3011	ST-R ¾" -28	280 mm	galv. steel / chrome-plated brass
E01V-3012	ST-R 1" -28	280 mm	galv. steel / chrome-plated brass
E01V-3013	ST-R ½" -30-31	300-315 mm	galv. steel / chrome-plated brass
E01V-3014	ST-R ¾" -30-31	300-315 mm	galv. steel / chrome-plated brass
E01V-3015	ST-R 1" -30-31	300-315 mm	galv. steel / chrome-plated brass
E01V-3016	ST-R ½" -35-40	355-400 mm	galv. steel / chrome-plated brass
E01V-3017	ST-R ¾" -35-40	355-400 mm	galv. steel / chrome-plated brass
E01V-3018	ST-R 1" -35-40	355-400 mm	galv. steel / chrome-plated brass
E01V-3019	ST-R ½" -45-50	450-500 mm	galv. steel / chrome-plated brass
E01V-3020	ST-R ¾" -45-50	450-500 mm	galv. steel / chrome-plated brass
E01V-3021	ST-R 1" -45-50	450-500 mm	galv. steel / chrome-plated brass
E01V-3022	ST-R ½" -56-60	560-600 mm	galv. steel / chrome-plated brass
E01V-3023	ST-R ¾" -56-60	560-600 mm	galv. steel / chrome-plated brass
E01V-3024	ST-R 1" -56-60	560-600 mm	galv. steel / chrome-plated brass
E01V-3025	ST-R ½" -63-71	630-710 mm	galv. steel / chrome-plated brass
E01V-3026	ST-R ¾" -63-71	630-710 mm	galv. steel / chrome-plated brass
E01V-3027	ST-R 1" -63-71	630-710 mm	galv. steel / chrome-plated brass
E01V-3028	ST-R ½" -80-100	800-1000 mm	galv. steel / chrome-plated brass
E01V-3029	ST-R ¾" -80-100	800-1000 mm	galv. steel / chrome-plated brass
E01V-3030	ST-R 1" -80-100	800-1000 mm	galv. steel / chrome-plated brass
Drain Fitting Caps			
Art.No.	Description	for duct-Ø	Material
E01V-4001	KST ½"	200-1000 mm	Galv. steel / chrome-plated brass
E01V-4002	KST ¾"	200-1000 mm	Galv. steel / chrome-plated brass
E01V-4003	KST 1"	200-1000 mm	Galv. steel / chrome-plated brass

Note: For duct-Ø 1000 mm and larger the drain fittings for straight duct walls ST-K and ST-G can be used.